

4

3

2

1

B

B

A

A

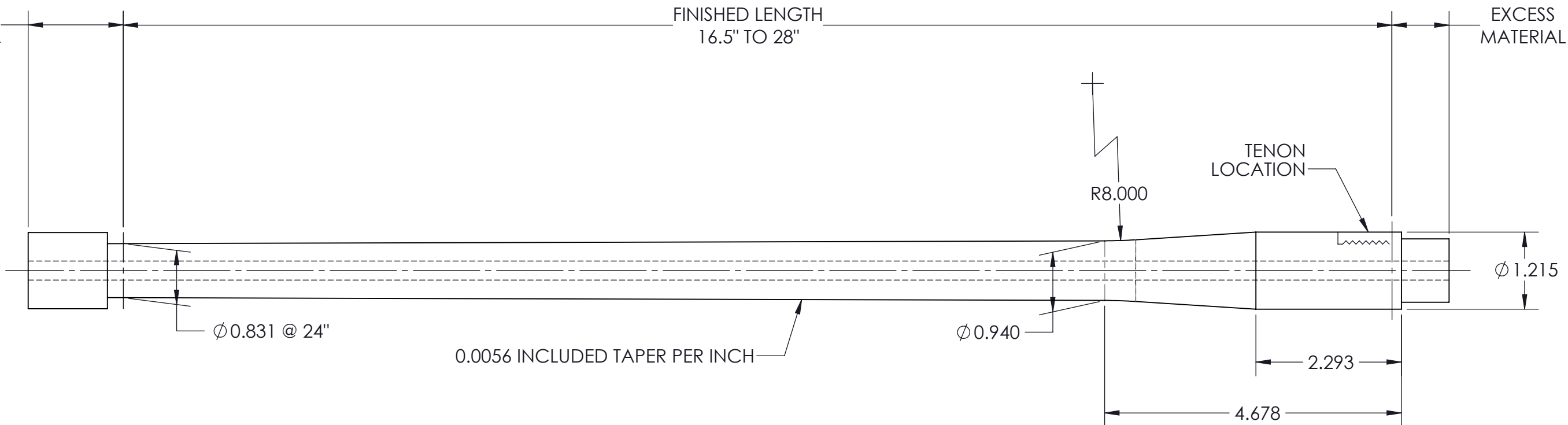
A

A

EXCESS MATERIAL

FINISHED LENGTH
16.5" TO 28"

EXCESS MATERIAL



#4 CONTOUR, VARMINT - UNFINISHED BLANK

4

3

2

1